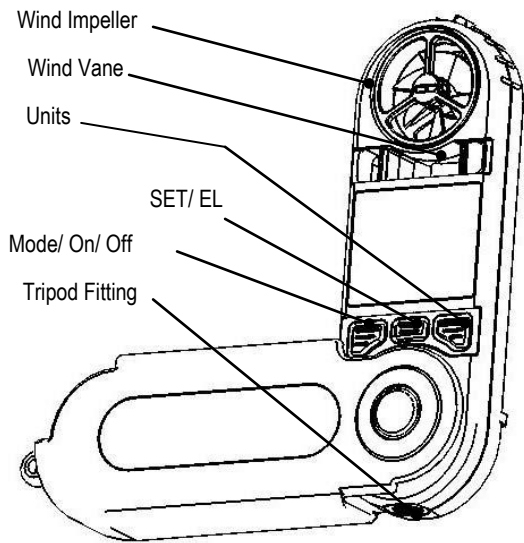


Ambient Weather WM-4
User Instruction Manual (Ver. 1.0)



1

Getting Started

Open your WM-4 to 180° as shown. If using a tripod, open your WM-4 to a 90° angle as shown above to access the tripod fitting.



To turn the unit on or off, press and hold **Mode** key for about 3 sec. You can turn off the unit at any mode. If the unit is idle for 5 minutes, it will auto shut down to preserve battery life.

When taking wind measurements by hand, make sure to keep the WM-4 at arm's length from the body with the display facing towards you so the wind will enter the wind impeller through the rear. Use the wind vane to orient the wind meter so you are on the wind's axis. This will give you the most accurate measurement.

CAUTION: The WM-4 is very accurate at low and mid-range air speeds. Consistent use at very high speeds, such as from a fast-moving car, will damage the impeller's bearing and reduce its accuracy. See below for impeller replacement.

2

Using the wind meter functions

When the unit is turned on for the first time, the default mode is wind speed. Going to other modes or features is simply done by pressing the **Mode** button.

Pressing **Units** Key at any mode (except Compass and Humidity) changes the unit to your preferred measurement unit. Units of measurement sequence is shown below for each model.

Mode Sequence

Press the Mode button to sequence the following parameters:

- Wind Speed
- Max Wind Speed
- Avg. Wind Speed
- Compass
- Temperature
- Wind Chill
- Humidity
- Wet Bulb Temperature
- Comfort Index
- Delta T

Units Sequence

Select the Units button to display the parameter you wish to sequence units:
Current, Max, Avg. Windspeed:
Mph->Kmph->mps->fpm->Beaufort Scale->Knots

3

Sequence for WM 200

- Wind speed – displays real time wind speed
- Max. wind speed – displays max. wind speed
- Avg. wind speed – displays 10-sec average
- Compass
- Temperature
- WindChill

Max. / Avg. / Wind Speed

MPH---->KMPH---->MPS---->FPM---->BF---->KNT

Temp. / Wind Chill

°F---->°C

Sequence for WM 300

- Wind speed – displays real time wind speed
- Max. wind speed – displays the max. wind speed
- Avg. wind speed – displays 10-sec average
- Compass
- Temperature
- WindChill
- Humidity (Sensor is self-calibrating)
- Wet Bulb
- Dewpoint
- Comfort Index
- Delta Temperature

4

Temperature, Wind Chill, Wet Bulb, Comfort Index, Delta T:
• F->°C

Compass Calibration

If necessary, to correct for the presence of ferrous metals, the compass can be calibrated. Go to compass mode press and hold **SET/EL** key till display shows "COMPASS CAL" (blinking). Turn the unit in a vertical position as shown. Turn the unit around twice, 15 sec per turn, as shown. After completing the 2 turns press **SET/EL** key to confirm calibration. If the display shows "END" the calibration is successful. If the display shows "ERR" redo the calibration process.



5

Digital Wind Direction

Point the WM-4 directly into the wind and select Compass mode. The edge of the wind vane will point directly towards you. Wind direction is displayed digitally and in compass points.

The compass feature can also compute the cross and head/tail wind. Point the meter in the direction of travel or target and get a steady compass reading. Press and hold **Units** key until MARK stops blinking. Release **Units** key and point the meter into the wind until you have a steady compass reading. Press and hold **Units** key until MARK stops blinking. The meter will display cross wind and to view head wind press the **Units** Key. The computed cross and head/tail wind may indicate a minus (-) sign. The minus (-) sign will indicate the wind is coming from the back, while no sign will indicate that the wind is coming from the front. To exit, press **Mode**.

6

Setting the Comfort Index™

Accuweather.com® Comfort Index™ is the effect of temp, relative humidity, wind speed & sun intensity on the human body. You can adjust the formula based on sun intensity. The solar factor has a range of 0 to 3.0 with a default setting of 1.5 (medium sun intensity). Example: Full sun = 3.0; Heavy clouds = 0. To change, press and hold **SET/EL** key. Press **Units** key to adjust the current value of the solar factor and press **SET/EL** to confirm and exit the setting mode.

Replacing the Battery (All models)

The unit uses a CR2032 Lithium battery. Turn the unit to the back. Use a coin to turn battery cover as indicated by the arrow. Insert the battery with the printed side facing you and close the battery door.

Changing the Wind Impeller (All models)

WM-4 impellers can be replaced. Contact AmbientWeather.com for parts and instructions. Your instrument has a 2-year warranty. Please save your invoice for verification and contact AmbientWeather.com for questions or service:
877-413-8800, 8am-4pm M-F (Arizona Time)
website: www.ambientweather.com
email: support@ambientweather.com

7

Key Function Matrix

Mode	Keys		
	Mode/ On/ Off	SET/ EL	Units
Wind speed	Change mode (Hold to turn power ON/ OFF)	-----	Change Units
Max. Wind speed	Change mode (Hold to turn power ON/ OFF)	-----	Change Units
Avg. Wind speed	Change mode (Hold to turn power ON/ OFF)	-----	Change Units
Compass	Change mode (Hold to turn power ON/ OFF)	Hold to enter Compass Calibration	Hold to mark direction
Crosswind	Exit to compass	Hold to enter Compass Calibration	Headwind
Headwind	Exit to compass	Hold to enter Compass Calibration	Crosswind
Compass Calibration	-----	Exit to compass	-----
Temperature	Change mode (Hold to turn power ON/ OFF)	-----	Change Units
Wind Chill	Change mode (Hold to turn power ON/ OFF)	-----	Change Units
Humidity	Change mode (Hold to turn power ON/ OFF)	-----	-----
Wet Bulb	Change mode (Hold to turn power ON/ OFF)	---	Change Units
Dew Point	Change mode (Hold to turn power ON/ OFF)	-----	Change Units
Comfort Index	Change mode (Hold to turn power ON/ OFF)	Hold to enter Solar Factor Setting	Change Units
Solar Factor Setting	-----	Exit to Comfort Index	Advance adjust
Delta T	Change mode (Hold to turn power ON/ OFF)	-----	Change Units

8

Warranty

Ambient, LLC provides a 2-year limited warranty on this product against manufacturing defects in materials and workmanship.

This limited warranty begins on the original date of purchase, is valid only on products purchased and only to the original purchaser of this product. To receive warranty service, the purchaser must contact Ambient, LLC for problem determination and service procedures.

Warranty service can only be performed by a Ambient, LLC. The original dated bill of sale must be presented upon request as proof of purchase to Ambient, LLC.

Your Ambient, LLC warranty covers all defects in material and workmanship with the following specified exceptions: (1) damage caused by accident, unreasonable use or neglect (lack of reasonable and necessary maintenance); (2) damage resulting from failure to follow instructions contained in your owner's manual; (3) damage resulting from the performance of repairs or alterations by someone other than an authorized Ambient, LLC authorized service center; (4) applications and uses that this product was not intended.

This warranty covers only actual defects within the product itself, and does not cover claims based on misrepresentation by the seller or performance variations resulting from installation-related circumstances.



9

